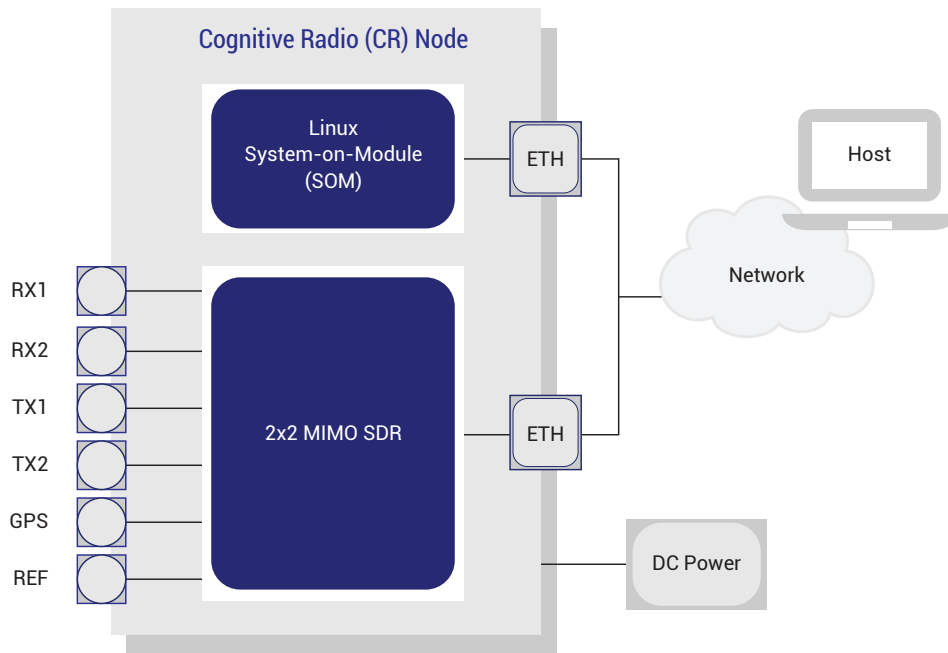


CIELO Cognitive Radio Node (CR1)

PRODUCT OVERVIEW

As part of our CIELO Software Defined Radio (SDR) family of products, Syncopated is offering the CR1 Cognitive Radio Node which includes our wideband 2x2 MIMO Software Defined Radio (SDR) and an embedded Linux System-on-Module (e.g. Intel Atom or ARM). Combined with our Cognitive Radio IP, the Cognitive Radio node is capable of autonomous learning and reconfiguration to adapt to dynamic spectral environments providing complete spectrum situational awareness and robust, anti-jam wireless communications.



KEY FEATURES

FEATURE	BENEFIT
Cognitive Engine Provides Autonomous Learning	Improved situational awareness and adaptive decision making
Software Defined Radio supports multiple "radio personalities"	One Device, Many Missions
Advanced Signal Processing	Improved performance in low SNR and highly contested spectral environments
Spatial Processing for communications spatial diversity and emitter direction finding	Improves communication performance and reduces detectability. Adds location information to waveform identification.

ABOUT SYNCOPATED

Syncopated Products, a Maryland Company, is a creative provider of custom products and solutions for Software Defined Radio (SDR) and hardware acceleration. Our solutions enable you to start further down the development path, reducing time-to-market and allowing you to focus on your innovative solution. Unlike large vendors, customization of our products for your specific needs is embraced not discouraged.

For Sales, please contact: Sales@SyncopatedProducts.com

For Support, please contact: Info@SyncopatedProducts.com