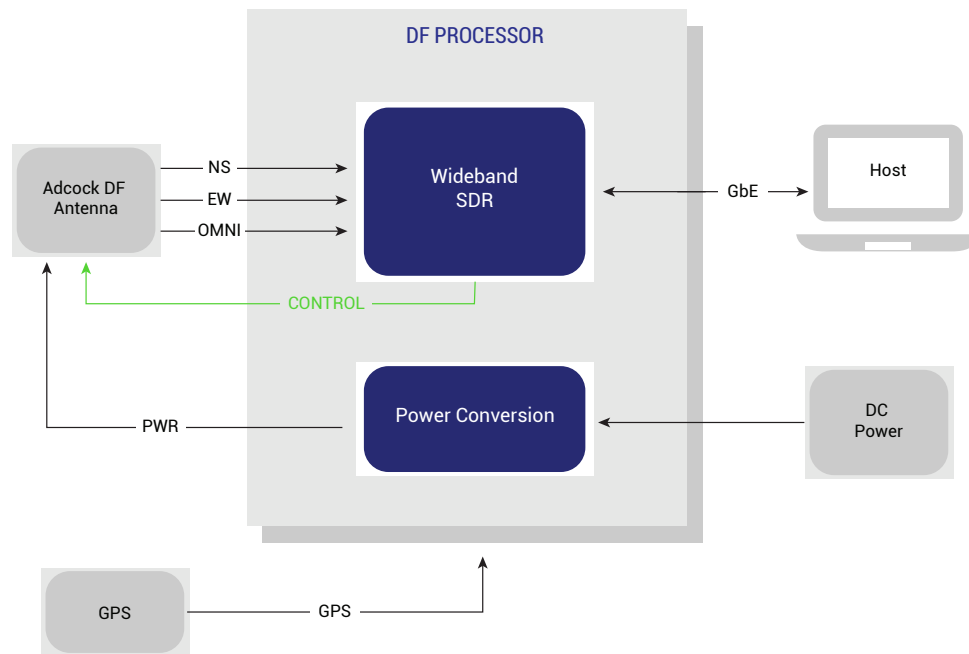


## CIELO™ Wideband DF Processor (DF-A2)

### PRODUCT OVERVIEW

As part of our CIELO™ Software Defined Radio (SDR) family of products, Syncopated is offering the DF-A2 wideband DF (Direction Finding) processor capable of providing Line of Bearing (LOB) when integrated with an Adcock DF antenna (e.g. manpack, vehicle or free-standing). The DF processor provides wideband operation over a frequency range from 20 MHz to 6 GHz providing LOB accuracy  $< 5^\circ$  RMS using a Cross-spectral DF algorithm with RF signal chain calibration. The DF processor also provides antenna control, calibration and power, as well as GPS processing. The DF system includes a software API that provides system data and control interfaces to an external host computer over an Ethernet or USB connection.



### KEY FEATURES

- Calculate Angle-of-Arrival (AOA) or Line-of-Bearing (LOB)
- Conduct Spectral Analysis via OMNI Channel
- Process GPS signal to determine location
- Determine orientation via the antenna's built-in compass
- Calibrate RF signal chain for improved AOA accuracy
- Configure Transmit Blanking to protect DF receiver from nearby high powered transmitters

### ABOUT SYNCOPATED

Syncopated Products, a Maryland Company, is a creative provider of custom products and solutions for Software Defined Radio (SDR) and hardware acceleration. Our solutions enable you to start further down the development path, reducing time-to-market and allowing you to focus on your innovative solution. Unlike large vendors, customization of our products for your specific needs is embraced not discouraged.

For Sales, please contact: [Sales@SyncopatedProducts.com](mailto:Sales@SyncopatedProducts.com)

For Support, please contact: [Info@SyncopatedProducts.com](mailto:Info@SyncopatedProducts.com)