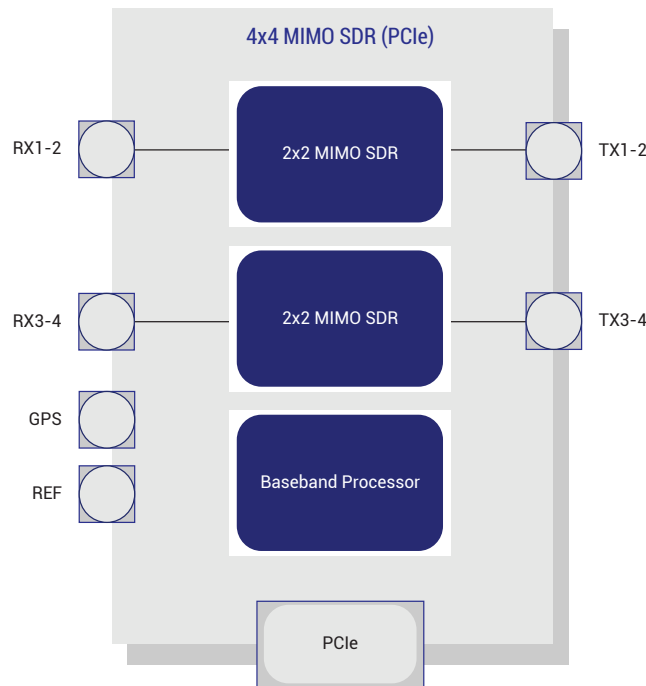


## CIELO™ 4x4 MIMO SDR PCIe Device (N1)

### PRODUCT OVERVIEW

As part of our CIELO™ Software Defined Radio (SDR) family of products, Syncopated is offering the N1 4X4 MIMO SDR PCIe device, which provides full-duplex wideband operation over a RF frequency range of 70MHz to 6GHz, with channel bandwidths up to 54 MHz. MIMO support includes 2x2 or 4x4 MIMO capability on a single card. Our device includes GPS disciplined oscillators enabling improved frequency and timing accuracy, and the ability to create synchronized multi-device configurations. Device-to-host communications is provided via PCIe including support for VITA49 to enable remote transceiver operations.



### USE CASES

- Server-Based Cognitive Radio Node with Web-based Remote Control and Data Transport
- Distributed Antenna Systems (DAS)
- Massive MIMO
- Wideband Beamforming

### INTELLECTUAL PROPERTY CORES AND SOFTWARE

Syncopated IP optimized for our SDR platforms include wireless communications, signal processing, direction finding, spectral sensing and waveform recognition.

### ABOUT SYNCOPATED

Syncopated Products, a Maryland Company, is a creative provider of custom products and solutions for Software Defined Radio (SDR) and hardware acceleration. Our solutions enable you to start further down the development path, reducing time-to-market and allowing you to focus on your innovative solution. Unlike large vendors, customization of our products for your specific needs is embraced not discouraged.

For Sales, please contact: [Sales@SyncopatedProducts.com](mailto:Sales@SyncopatedProducts.com)

For Support, please contact: [Info@SyncopatedProducts.com](mailto:Info@SyncopatedProducts.com)